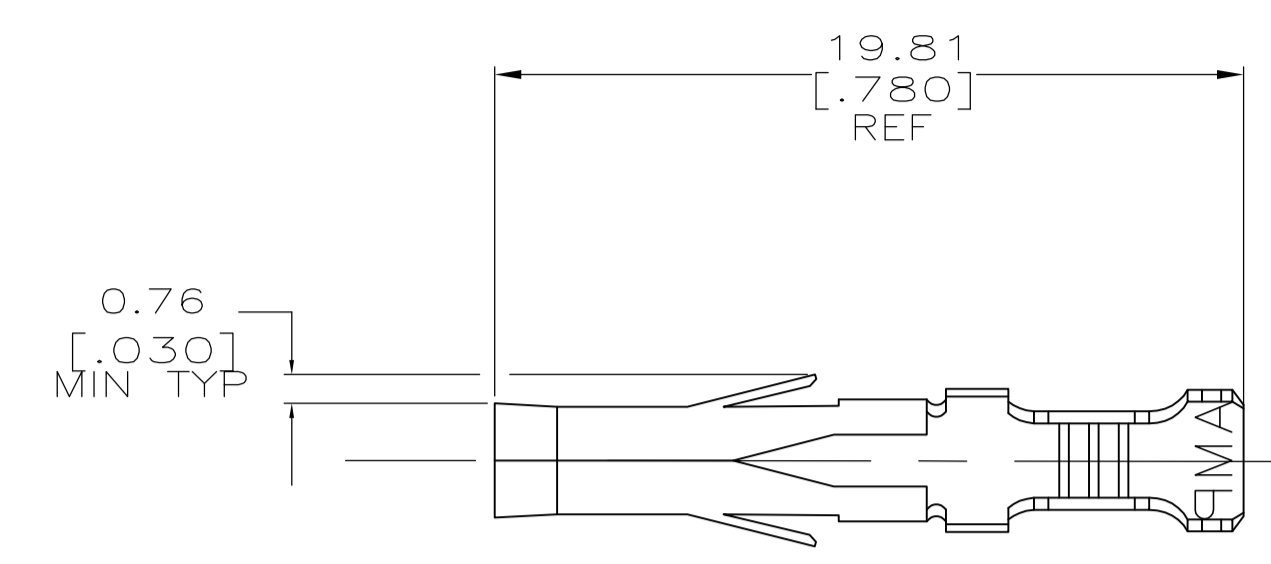
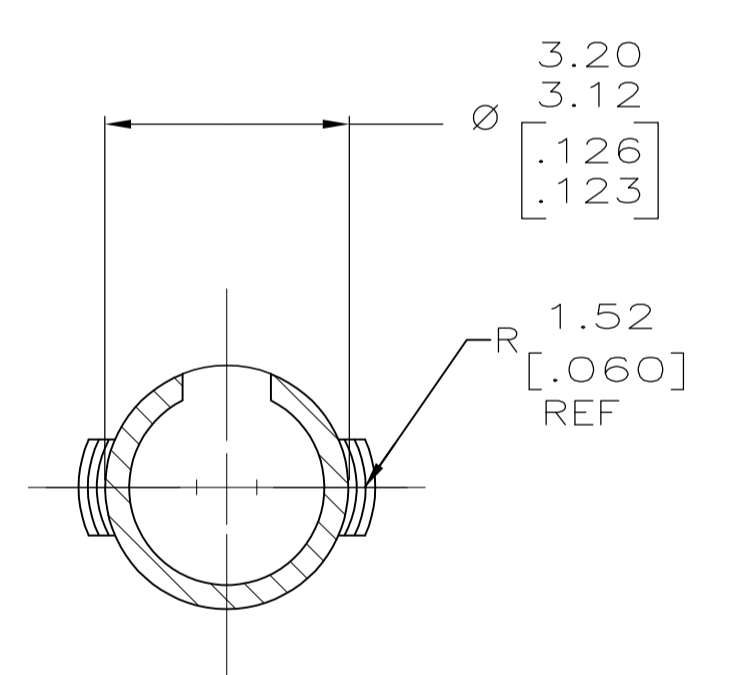
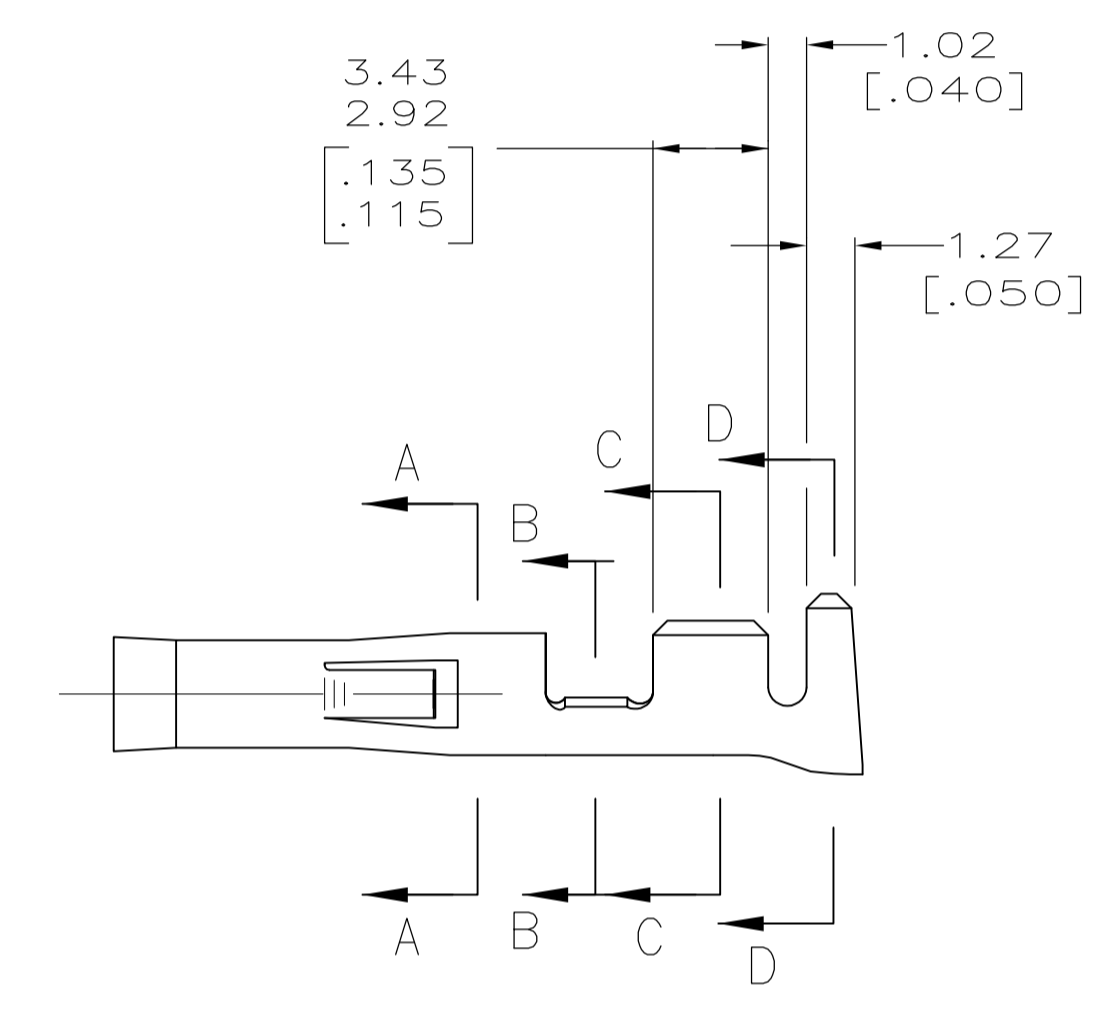
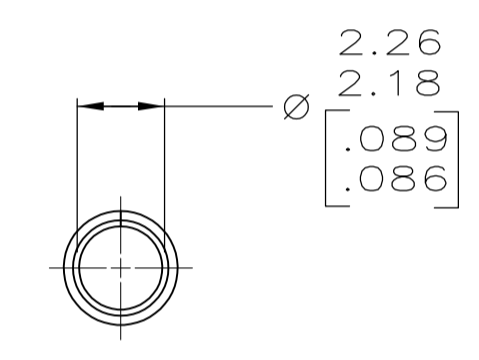


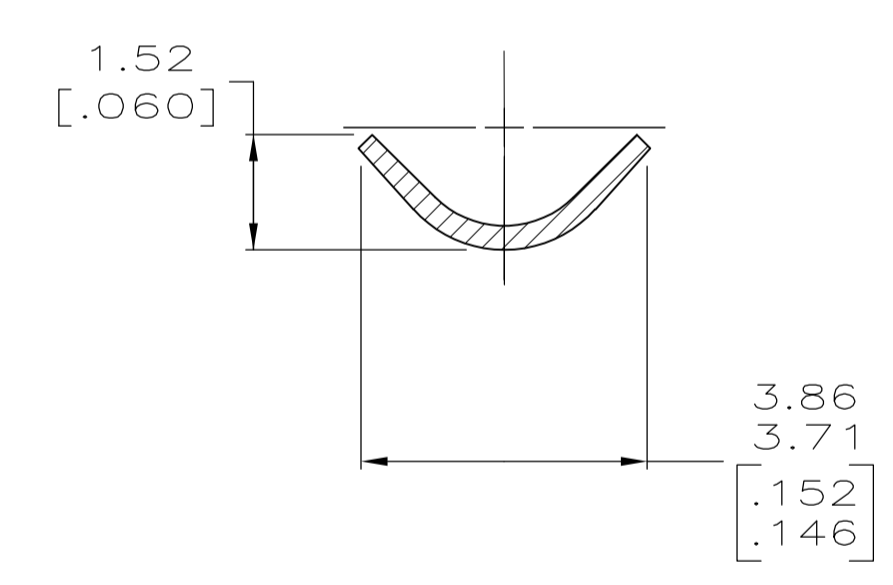
| LOC | | DIST | | REVISIONS | | | |
|-----|-----|---------------|---------|-----------|------|--|--|
| P | LTR | DESCRIPTION | DATE | DWN | APVD | | |
| F | | ECO-07-014387 | 19JUN07 | KW | CC | | |



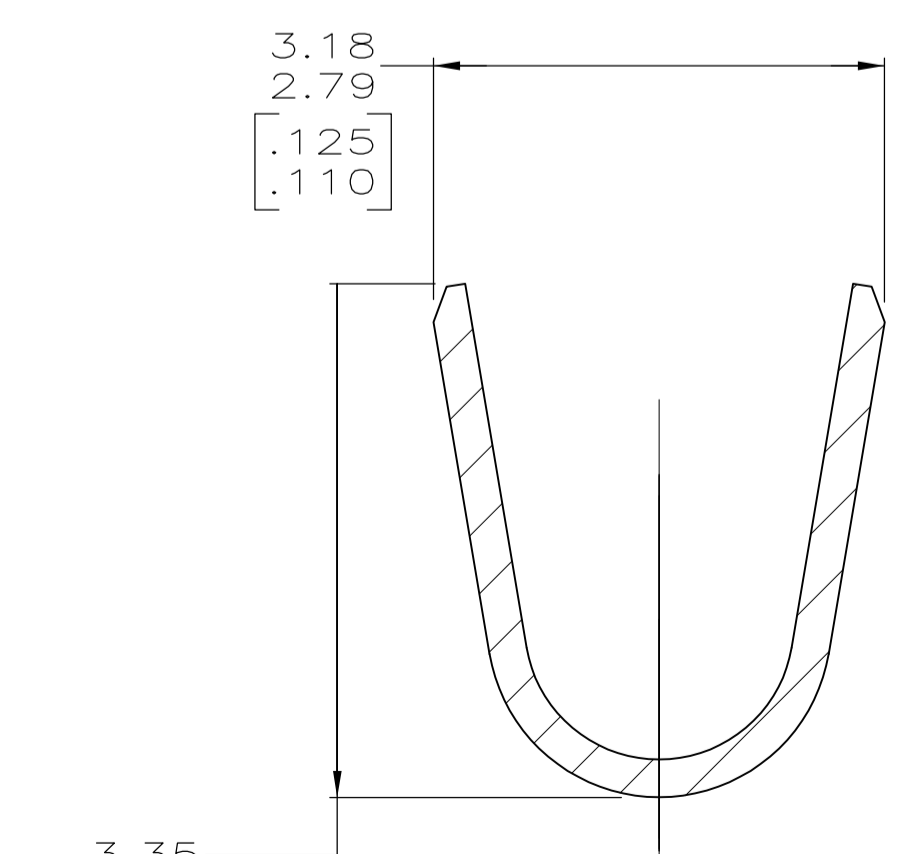
- 1. 0.00127 [.000050] NICKEL PLATE WITH 0.00076 [.000030] GOLD PLATE ON INSIDE OF RECEPTACLE.
- 2. WIRE RANGE: 0.5-2mm² (20-14 AWG).
- 3. INSULATION RANGE: 3.56 [.140] MAX. DIA.
- 4. DIMENSIONS IN BRACKETS ARE IN INCHES.



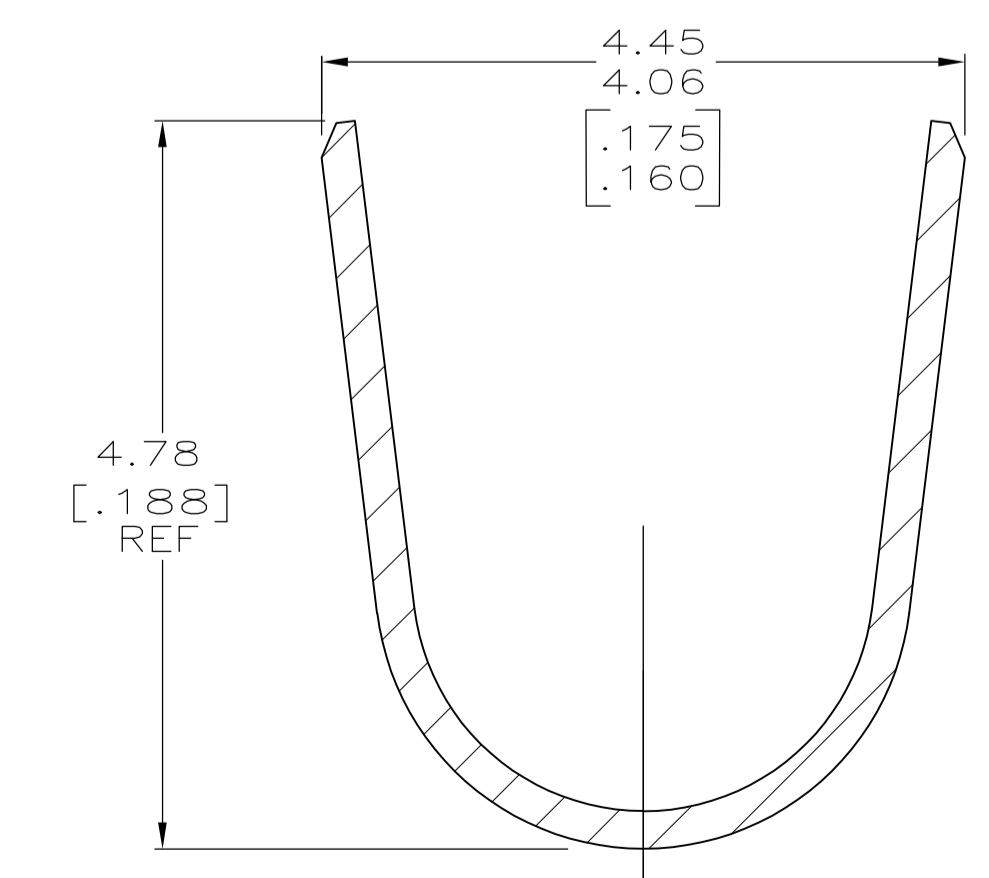
SECTION A-A
SCALE 10:1



SECTION B-B
SCALE 10:1



SECTION C-C
SCALE 10:1



SECTION D-D
SCALE 10:1



| | | |
|---------|----------------------|----------|
| PRE-TIN | 0.25 [.010] PHOS BRZ | 770144-6 |
| 1 | 0.25 [.010] BRASS | 770144-5 |
| PRE-TIN | 0.25 [.010] BRASS | 770144-1 |
| FINISH | MATERIAL | PART NO |

| | | | | | |
|--|--|--|--|---|--|
| THIS DRAWING IS A CONTROLLED DOCUMENT. | | DIN K. WHITAKER 19JUN2007 | | Tyco Electronics Corporation Harrisburg, PA 17105-3608 | |
| DIMENSIONS: mm [INCHES] | | TOLERANCES UNLESS OTHERWISE SPECIFIED: | | APVD C. CASH 19JUN2007 | |
| 0. PLC ± - | | 1. PLC ± - | | NAME SOCKET, .093, LOOSE PIECE, COMMERCIAL PIN AND SOCKET | |
| 2. PLC ± 0.13 [.005] | | 3. PLC ± - | | APPLICATION SPEC | |
| 4. PLC ± - | | ANGLES ± - | | SIZE CASE CODE DRAWING NO | |
| MATERIAL SEE TABLE | | FINISH SEE TABLE | | WEIGHT | |
| | | | | A1 00779 C=770144 | |
| | | | | CUSTOMER DRAWING SCALE 5:1 SHEET 1 OF 1 REV F | |